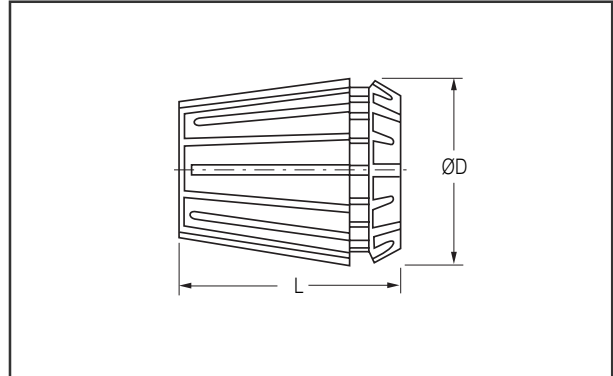


TOOLHOLDERS

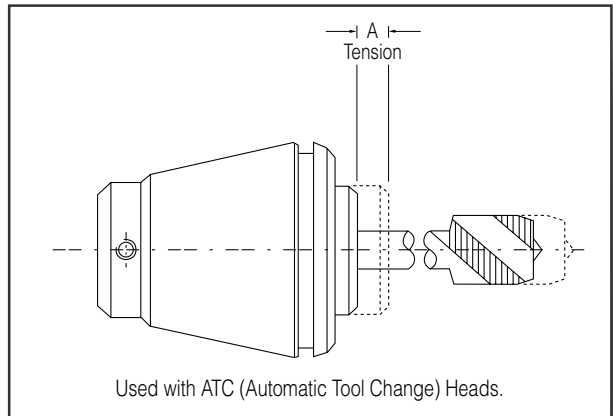
COLLETS

Part Number	Clamping Range	In Increments Of	ØD	L
ER8	0.5 - 5	0.5	8.5	13.5
ER11	0.5 - 7	0.5	11.5	18.0
ER16	0.5 - 10	1.0	17.0	27.5
ER20	1 - 13	1.0	21.0	31.5
ER25	1 - 16	1.0	26.0	34.0
ER32	2 - 20	1.0	33.0	40.0
ER40	3 - 26	1.0	41.0	46.0



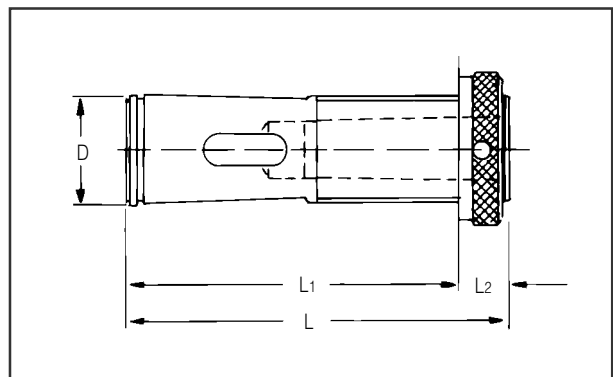
TENSION TAPPING COLLETS

Part Number	Collet Size	Tap Shank Size	A
XT116200	ER16	2.0	7
XT116224		2.24	
XT116250		2.5	
XT116280		2.8	
XT116315		3.15	
XT116355		3.55	
XT116400		4.0	
XT116450		4.5	
XT116500		5.0	
XT116550	5.5	ER20	7
XT120250	2.5		
XT120280	2.8		
XT120315	3.15		
XT120355	3.55		
XT120400	4.0		
XT120450	4.5		
XT120500	5.0		
XT120560	5.6		
XT120630	6.3		
XT120700	7.0		



ADJUSTABLE ADAPTORS

Diameter D	Morse Taper	L	L1	L2	Adjustment	Standard Assembly
16 x 1.5 Tpz	1	85	73	12	28	X117402
20 x 2 Tpz	1	88	76	12	28	X117403
25 x 2 Tpz	1	95	83	12	30	X136192
	2					X136193
28 x 2 Tpz	1	95	83	12	30	X117404
	2					X117405
36 x 2 Tpz	1	118	104	14	36	X136176
	2					X117406
	3					X117407



Unless otherwise stated, all dimensions are in millimetres.